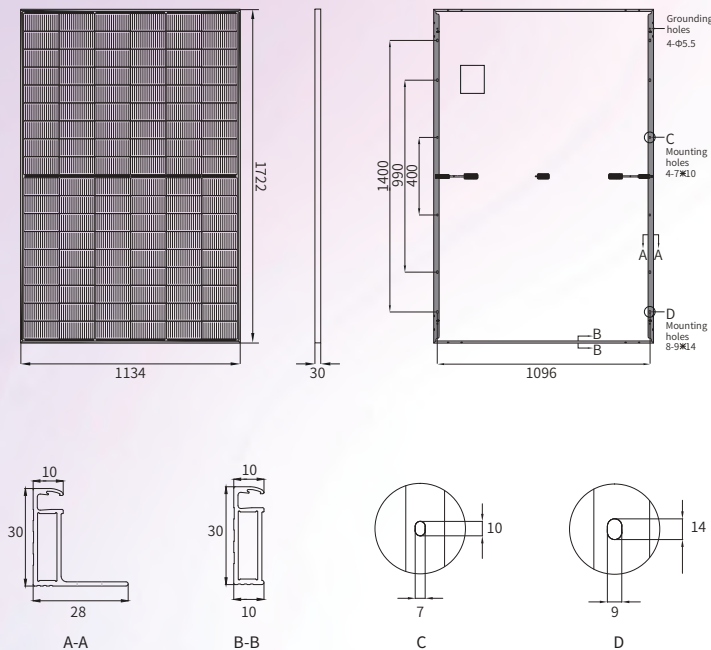


# Monofacial Single Glass TOPCon All Black Module

## JNMN108-430~450

### ENGINEERING DRAWING



### MECHANICAL PARAMETERS

Cell (mm)	182*91 TOPCon
Dimensions (L*W*H) (mm)	1722*1134*30
Weight (kg)	21.0
Cable Cross Section Size (mm <sup>2</sup> )	4
No. of Cells & Connections	108(6*18)
No. of Diodes	3
Frame	Anodized Aluminium Alloy
Glass Thickness (mm)	3.2

### QUALIFICATION

Temperature Cycling Range (°C)	-40~+85
Max. Series Fuse Rating (A)	25
Max.Wind Load/Max.Snow Load (Pa)	2400/5400
Fire Rating	Class C
Junction Box & Connector Protection Grade	IP68

### TEMPERATURE COEFFICIENTS

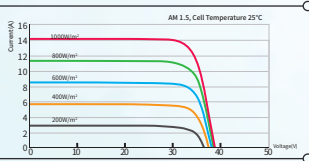
Nominal Module Operating Temperature (NMOT)	43±2°C
Temperature Coefficient Voltage (Voc)	-0.25 %/°C
Temperature Coefficient Current (Isc)	0.045 %/°C
Temperature Coefficient Power (Pm)	-0.29 %/°C

### ELECTRICAL PARAMETERS

Module Type (1500V DC)	JNMN108-430	JNMN108-435	JNMN108-440	JNMN108-445	JNMN108-450	
STC AM1.5 1000W/m <sup>2</sup> Cell Temperature 25°C	Max. Power at STC (Pmpp/W)	430	435	440	445	450
	Output Tolerance (W)	0-+5	0-+5	0-+5	0-+5	0-+5
	Max. Power Voltage (Vmp/V)	32.10	32.31	32.52	32.72	32.92
	Max. Power Current (Imp/A)	13.40	13.47	13.54	13.61	13.68
	Open Circuit Voltage (Voc/V)	38.50	38.64	38.78	38.92	39.06
	Short Circuit Current (Isc/A)	14.06	14.14	14.22	14.30	14.38
NMOT AM1.5 800W/m <sup>2</sup> Ambient Temperature 20°C Wind Speed 1m/s	Module Efficiency (%)	22.02	22.28	22.53	22.79	23.04
	Max. Power (Pmpp/W)	328.0	331.9	335.7	339.5	343.3
	Max. Power Voltage (Vmp/V)	30.60	30.80	30.99	31.18	31.37
	Max. Power Current (Imp/A)	10.72	10.78	10.83	10.89	10.94
	Open Circuit Voltage (Voc/V)	36.59	36.72	36.86	36.99	37.12
	Short Circuit Current (Isc/A)	11.33	11.39	11.46	11.52	11.59

\*Measurement tolerance: Pmax: ±3%, Voc: ±3%; Isc: ±5%.

### I-V CURVE (440W)



### PACKING CONFIGURATION

Pieces Per Pallet	36
Pallets Per Container	26
Pieces Per Container	936

### Default

### Optional

Connector Type	<input type="checkbox"/> MC4 Compatible	<input type="checkbox"/> MC4
Cable Length	<input type="checkbox"/> 350mm/280mm	<input type="checkbox"/> Customized



TUV: IEC/EN 61215, IEC/EN 61730  
 GB/T 19001-2016/ ISO 9001:2015  
 GB/T 24001-2016/ ISO 14001:2015  
 GB/T 45001-2020/ ISO 45001:2018  
 CNAS-CL01: ISO/IEC 17025:2017

### 12-year Product materials and workmanship quality warranty

Output power			
The 1st year	The 12th year	The 25th year	
≥99.00%	≥94.60%	≥87.40%	

CAUTION: The electrical parameters in this product datasheet do not refer to only one module. Read safety and installation instructions before using the product. The contents of this specification are for reference only and are subject to change without notice. Jinery reserves the right of final interpretation. JNM-20240520-14.0.T © 2024 JINNENG CLEAN ENERGY TECHNOLOGY LTD. ALL RIGHTS RESERVED.

